

# *devolo*

## Home Control Smoke Detector



first steps

## Thank you for placing your trust in this devolo product.

Carefully read all instructions before setting up the device and store the instructions for later reference.

### Icons



***Very important note. Failure to observe this note may result in damage.***



***Important note that should be observed.***



*Background information and configuration tips for your device.*

### Intended use

Use the Home Control Smoke Detector as described in these instructions and in the Home Control online help to prevent damage and injuries.

### CE conformity

**CE16**  
**1772**

When used as intended, the product conforms to the basic requirements of the directives 2014/53/EU, 2014/35/EU and the other relevant provisions of the Radio and Telecommunications Terminal Equipment Act (FTEG) and is designed for use in the EU, Switzerland and Norway. A printout of the CE declaration is included.

## devolo Home Control

Home Control (also known as home automation) refers to the specific control of electrically operated indoor household devices. The Home Control system from devolo uses the Z-Wave™ wireless standard.

A Home Control system requires a Z-Wave™-compatible control unit such as the Home Control Central Unit from devolo. Use its Home Control Portal to coordinate the Home Control Smoke Detector and all other Home Control devices. You can access the Home Control Central Unit through the **my devolo app** and at [www.mydevolo.com](http://www.mydevolo.com) in a browser.

- *For more information about setting up the Home Control Central Unit, please refer to the installation guide and/or Home Control online help.*

### Accessing the Home Control Central Unit via the my devolo app (for smartphone/tablet)

Open the **my devolo app** ⇨ **Home Control** and select your **Home Control Central Unit**.

### Accessing the Home Control Central Unit via web browser (PC/laptop)

At [www.mydevolo.com](http://www.mydevolo.com) ⇨ **Home Control** select your **Home Control Central Unit**.

- *For more information on the control and configuration of all devolo Home Control devices, as well as application examples, please refer to the Home Control online help.*



## The Home Control Smoke Detector

The Home Control Smoke Detector alerts you acoustically with an audible signal, visually via an LED light, via text message, e-mail or an app. Thanks to the mobile and simultaneous notification sent to multiple mobile phone numbers and e-mail addresses that you select, you can respond immediately even when on the go. When combined with other Home Control devices, the Home Control Smoke Detector can, for example, additionally turn on the lights and open the shades via the Central Unit.



***Since March 2013, living and working spaces in Germany have largely been subject to a smoke detector requirement. Children's rooms, bedrooms and hallways serving as escape routes must be equipped with them. For more information on this topic, you can also refer, for example, to [www.rauchmelderpflicht.eu](http://www.rauchmelderpflicht.eu).***



## Safety notes

***Fasten the Home Control Smoke Detector on the ceiling in the centre of the room or at least 50 cm away from walls, ceiling joists or fixtures. The room may be up to 6 m in height.***

***Fasten the Home Control Smoke Detector as horizontally as possible (inclination angle no more than 20° if there is roof slope).***

***Pockets of hot air can form in the ceiling ridge in rooms with ceiling slope > 20°. In this case, fasten the Home Control Smoke Detector at least 50 cm and no more than 1 m below a roof/ceiling ridge.***

***Install additional Home Control Smoke Detectors if the available joists are > 20 cm and the room to be monitored has separated areas > 36 m<sup>2</sup>. If the joists are < 20 cm, fasten the Home Control Smoke Detector to the ceiling or a joist.***

***Avoid fastening the Home Control Smoke Detector near air conditioners, air shafts and other products/areas with strong draughts.***

***Do not fasten the Home Control Smoke Detector in rooms where there is usually heavy steam, smoke or dust, for example in the kitchen or bathroom.***



***Install multiple Home Control Smoke Detector in a room if the surface to be monitored is  $> 60 \text{ m}^2$  or is interrupted by ceiling joists.***

***If you install the Home Control Smoke Detector on a balcony of  $> 2 \text{ m}$  length and width and a surface  $> 16 \text{ m}^2$ , an additional Home Control Smoke Detector is required underneath the balcony.***



***In elongated rooms, the Home Control Smoke Detector may be fastened up to 7.5 m from the front side of the room. When using multiple Home Control Smoke Detectors, the distance between the devices may be no more than 15 m.***

***The Home Control Smoke Detector must not be painted over! Paint clogs the ventilation slots and smoke inlets, making the device incapable of working properly.***

***Do not use a burning cigarette to test whether the Home Control Smoke Detector is functioning properly! Cigarette smoke clogs the ventilation slots and smoke inlets, making the device incapable of working properly.***

***Using the test button, regularly check (approx. 1x per month) whether the Home Control Smoke Detector is functioning properly (see section Test alarm on page 12). Check once annually whether the ventilation slots and smoke inlets are impeded by dust or spider webs. Clean the affected areas with a dry towel. Contact with water can damage the product.***

***Smoke detectors must be replaced every 10 years!***

***Batteries have to be replaced after two years at the latest!***



## Batteries



***Always keep batteries away from open flame and high temperatures. Avoid direct sunlight and radiated heat! Lithium batteries have a risk of explosion!***

***Always remove all batteries from battery-operated devices that are only in storage and are not in use. Old batteries can leak and damage the device!***

***Do not use rechargeable batteries!***

***When inserting the battery, make sure the polarity is correct. Using the battery incorrectly can damage the device!***

***After each battery change, the smoke detector must be checked for proper operation using the test equipment (see section Test alarm on page 12).***



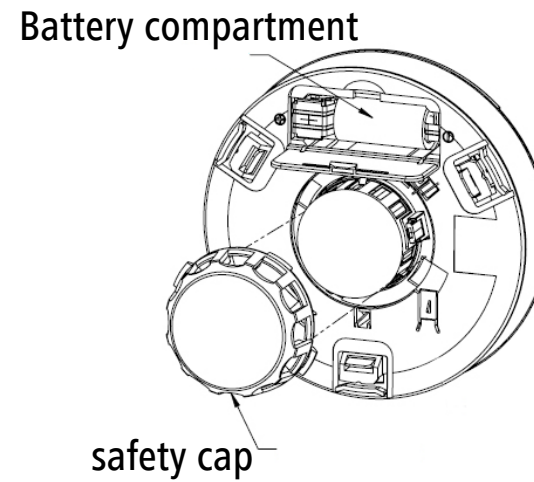
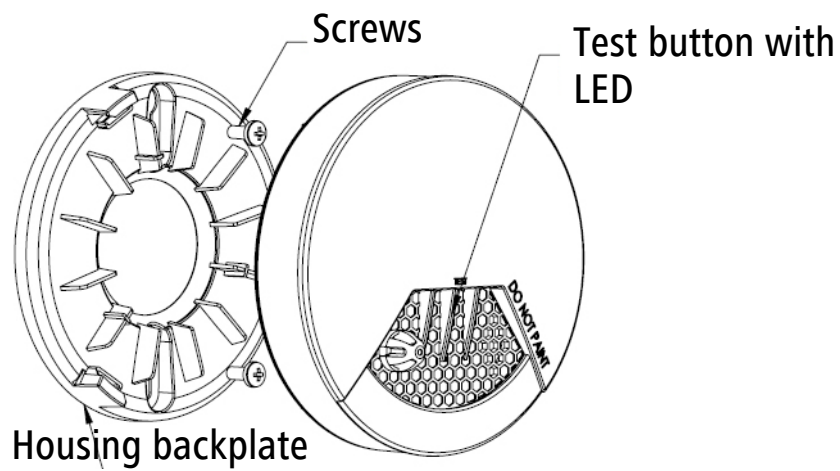
*The Home Control Smoke Detector requires a commercially available CR123 3V lithium battery. For information on replacing the battery, please refer to the Home Control online help.*

## Installing the Home Control Smoke Detector



***Only use the Home Control Smoke Detector indoors.***

- ① Turn the detector anti-clockwise to unscrew it from the housing backplate and access the battery compartment.





***If you are using screws to install it on a ceiling, make sure that no gas, water or power lines in the room's ceiling get damaged. There is a danger of electric shock!***

- ② Based on the drilling specifications on the housing backplate, drill holes into the room's ceiling at the desired location and attach the housing backplate using screws.
- ③ Now put the battery in the **correct position** (see marking in the battery compartment) in the Home Control Smoke Detector.





***When you insert the battery, it pushes down the red locking pin without the use of force. This prevents the battery compartment from being closed without a battery inserted.***

- ④ Close the battery compartment cover.
- ⑤ The installation was successful if the LED on the Home Control Smoke Detector flashes yellow once after about 10 seconds and you hear a short alarm tone.



***After each battery change, the smoke detector must be checked for proper operation.***

## Registering the Home Control Smoke Detector on the control unit (e.g. Home Control Central Unit)

- ⑥ When you plug in the **Home Control Central Unit** from **devolo**, follow the description in the section **devolo Home Control** on page 3 to call up your **Home Control Central Unit** and select **Devices**  **Add device**  **devolo Home Control Smoke Detector**. Follow the instructions there to log into your Home Control Central Unit.

**i** *From now on, you can take electronic control conveniently using the Home Control Portal of the Home Control Central Unit.*

*For more information on the control and configuration of all devolo Home Control devices, as well as application examples, please refer to the Home Control online help.*

## Test alarm

- ⑦ Keep the button pressed until you hear the alarm tone and the LED flashes red.

**i** ***If the test alarm still does not provide acoustic or visual feedback, the device may be defective. For replacing the Home Control Smoke Detector, contact devolo AG.***

- ⑧ To switch off the alarm again, simply release the button.



***The device creates a loud and shrill alarm tone that can cause hearing damage. Stay a minimum distance of about 50 cm away from it when testing its function.***

## False alarm

The Home Control Smoke Detector reduces the potential for sounding a fire alarm to the minimum. Cigarette smoke in the air does not set off the alarm. However, if the smoke is blown directly into the ventilation slots and smoke inlets, the alarm tone sounds. Steam and smoke from cooking can also trigger an alarm. Therefore, the Home Control Smoke Detector may not be installed in the kitchen or bathroom. If the Home Control Smoke Detector reports an alarm, first check whether there is a source of fire. If fire is discovered, call the fire brigade.

## Service and warranty

**Warranty:** 3 years

If your devolo device is defective when first used or within the warranty period, please contact the supplier where you bought the devolo product. The supplier will handle getting a replacement or repair for you from devolo. For the complete warranty terms, please visit our website at [www.devolo.com/warranty](http://www.devolo.com/warranty).

|                 |                     |                      |
|-----------------|---------------------|----------------------|
| Great Britain   | +44 203 0241 838 *  | support@devolo.co.uk |
| Portugal        | +351 707 200 896 *  | support@devolo.pt    |
| Spain           | +34 902 887 682 *   | support@devolo.es    |
| Sweden          | +46 771 400 480 *   | support@devolo.se    |
| Other countries | +49 241 70 525 18 * | support@devolo.com   |

\* Detailed information about the actual costs of the telephone calls can be found on the devolo website.

## Disposal

Neither the Home Control Smoke Detector nor the battery may be disposed of with the household waste. Instead, you can return these at no charge at your municipal collection point or at the retailer (e.g. supermarket, specialist shop).

## Appendix

Here you will find more information about the Home Control Smoke Detector.

For the online version of the CE declaration and the description of services, refer to:

[www.devolo.co.uk/documents/Smoke-Detector](http://www.devolo.co.uk/documents/Smoke-Detector).

To view the documents on your computer/laptop you need a PDF reader such as Acrobat Reader from Adobe®.

You can download the latest version of the software at <https://get.adobe.com/uk/reader/>.

### Technical data

|                            |   |
|----------------------------|---|
| Wireless standard          | Z-Wave  |
| Frequency                  | 868,42 MHz<br>869,85 MHz                            |
| Range                      | up to 30 meter indoors, up to<br>100 meter outdoors |
| Max. transmission capacity | < 1mW   |
| Use                        | indoors   |

***devolo***

devolo AG

Charlottenburger Allee 60

52068 Aachen – Germany

[www.devolo.com](http://www.devolo.com)